

Pneumados

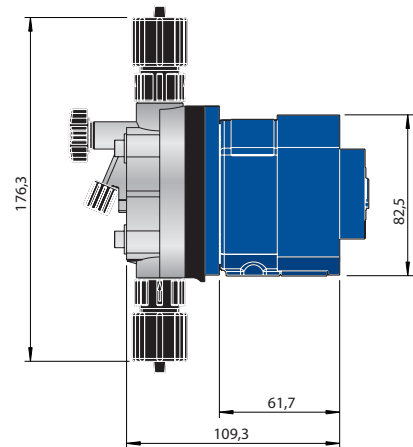
Pneumatically-driven diaphragm metering pumps

The standard solution for simple metering tasks wherever no electrical power is available.

- Capacity range
0.76–16.7 l/h, 16–2 bar
- Continuous stroke length adjustment
- Material versions PTFE and stainless steel
- Stroke rate of up to 180 strokes/min

Typical applications

- Car-washing systems
- Animal feed treatment
- Bottle disinfection in bottling plants



| Pump type | Pump capacity at max. back pressure | | | Stroke rate Strokes/min | Suction lift mWs | Connector size a Ø x i Ø mm |
|-----------|-------------------------------------|-------|-----------|----------------------------|---------------------|--------------------------------|
| | bar | l/h | ml/stroke | | | |
| PNDb 1000 | 10 | 0.76 | 0.07 | 180 | 6.0 | 6x4 |
| PNDb 1601 | 16 | 1.00 | 0.09 | 180 | 6.0 | 6x4 |
| PNDb 1602 | 16 | 1.70 | 0.16 | 180 | 6.0 | 6x4 |
| PNDb 1005 | 10 | 3.80 | 0.35 | 180 | 5.0 | 8x5 ¹⁾ |
| PNDb 0708 | 7 | 6.30 | 0.58 | 180 | 4.0 | 8x5 |
| PNDb 0413 | 4 | 10.50 | 0.97 | 180 | 3.0 | 8x5 |
| PNDb 0220 | 2 | 16.70 | 1.55 | 180 | 2.0 | 12x9 |

1) With stainless steel design 6 x 4 mm

| Wetted materials | | | | |
|------------------|--|--|-------|-------------|
| Design | Dosing head | Suction/pressure connector | Seals | Valve balls |
| PVT | PVDF | PVDF | PTFE | Ceramic |
| SST | Stainless steel material no. 1.4404 | Stainless steel material no. 1.4404 | PTFE | Ceramic |